

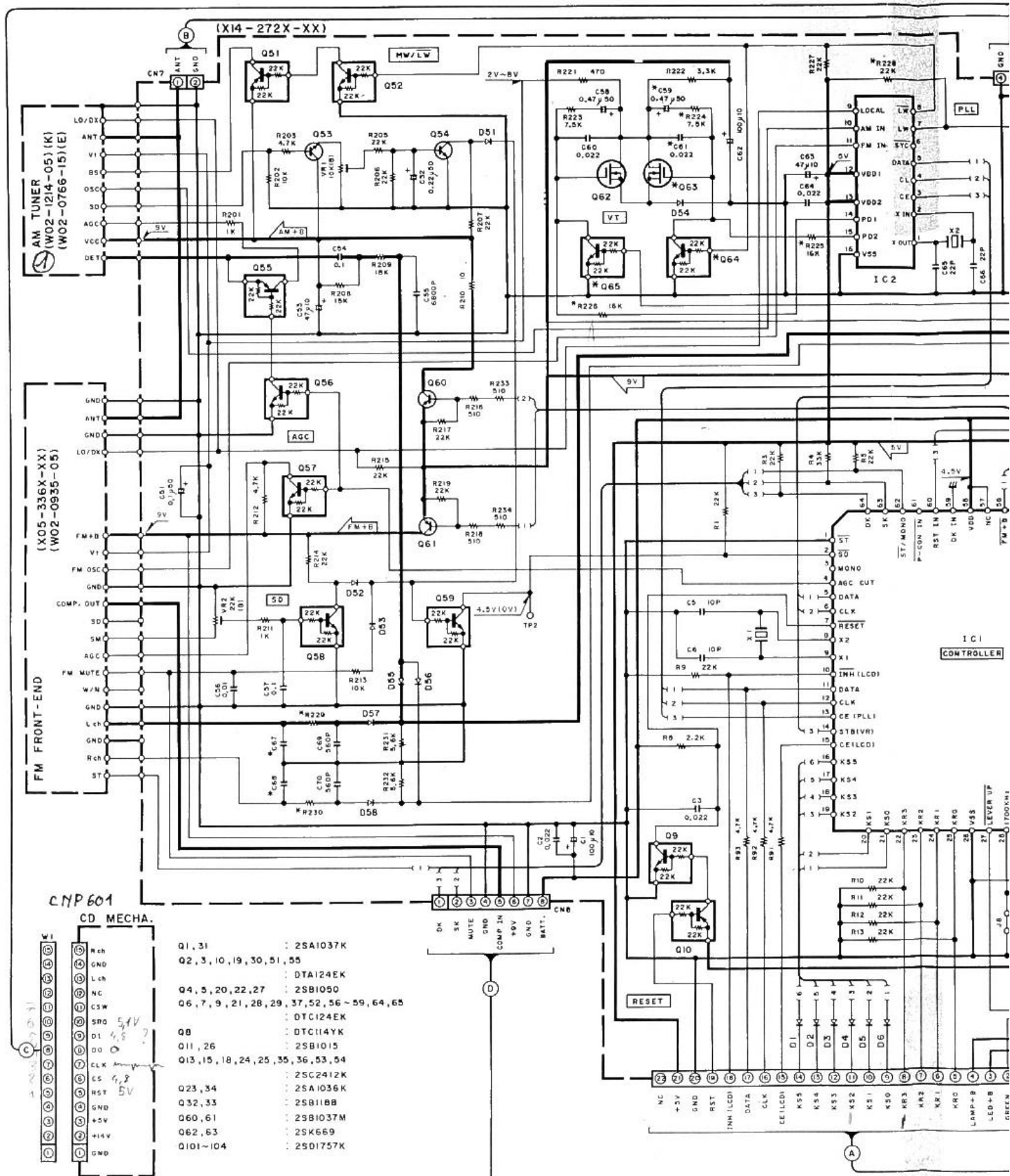
A

B

C

D

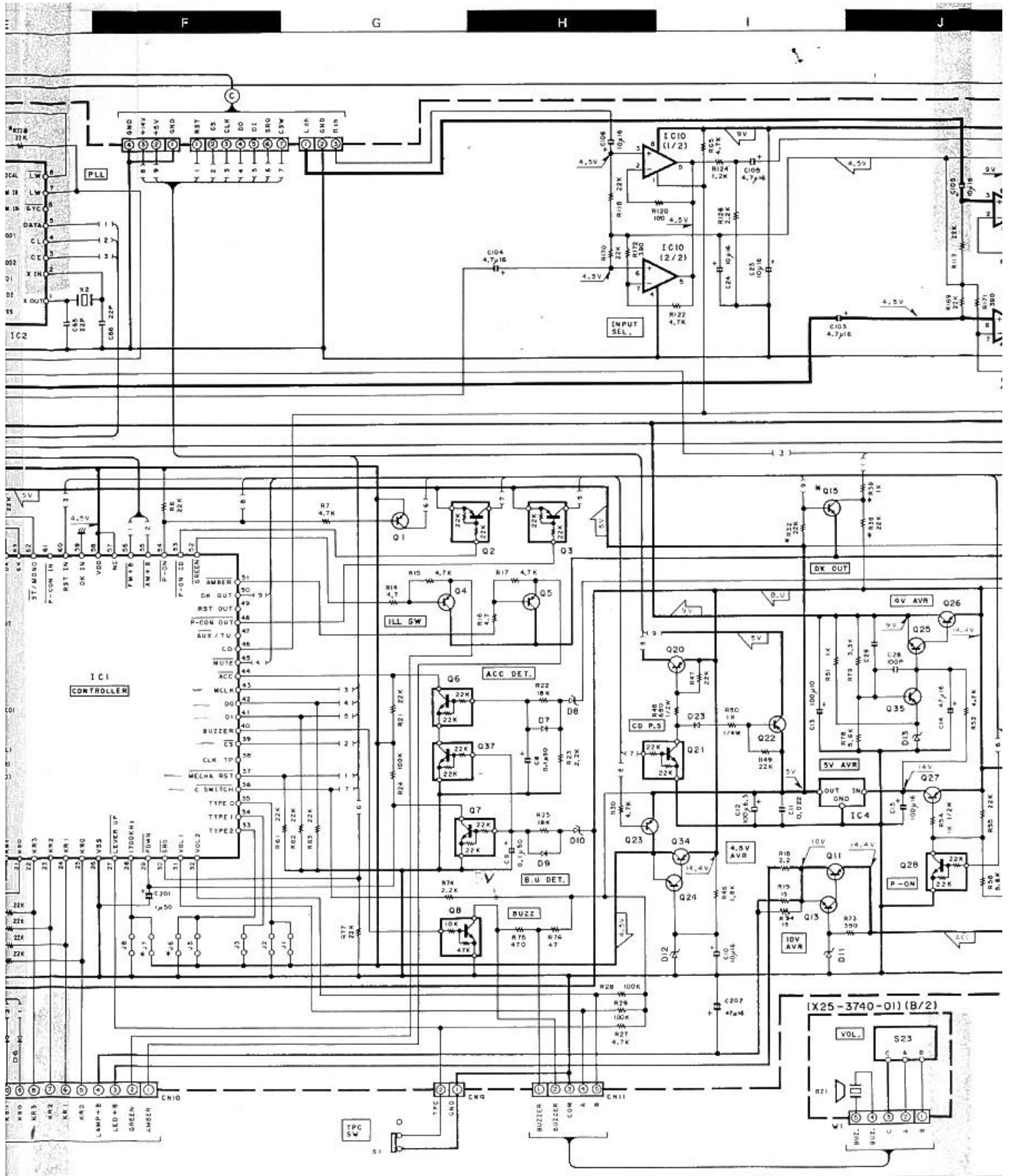
E



CAUTION: For continued safety, replace safety critical components only with manufacturer's recommended parts (refer to parts list). Δ Indicates safety critical components. To reduce the risk of electric shock, leakage-current or resistance measurements shall be carried out (exposed parts are acceptably insulated from the supply circuit) before the appliance is returned to the customer.

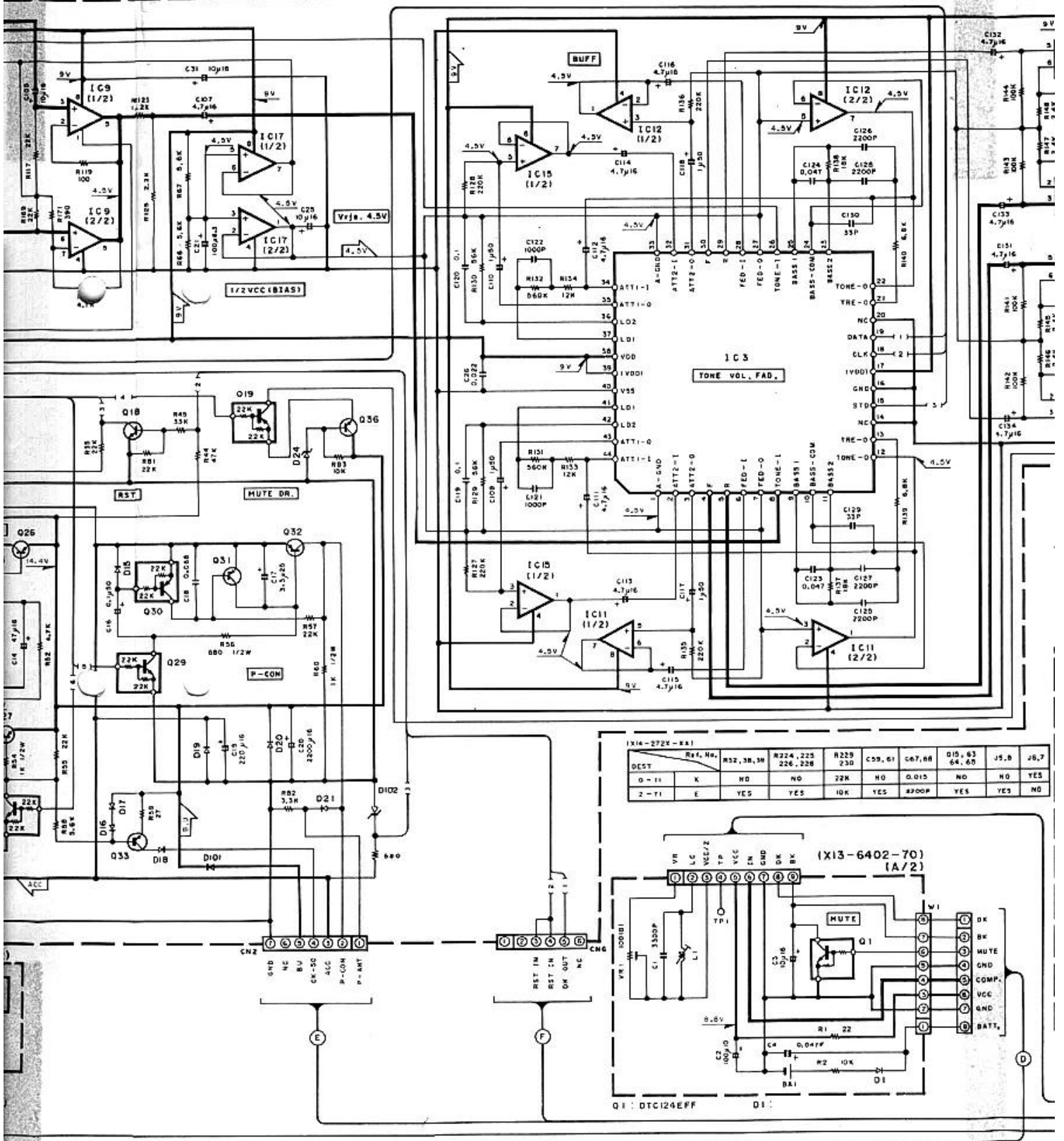
DC voltages are as measured with a high impedance voltmeter. Values may vary slightly due to variations between individual instruments or/and units.

Les tensions c.c. voltmètre à haute impédance. Les valeurs peuvent varier légèrement entre appareils et aux in-

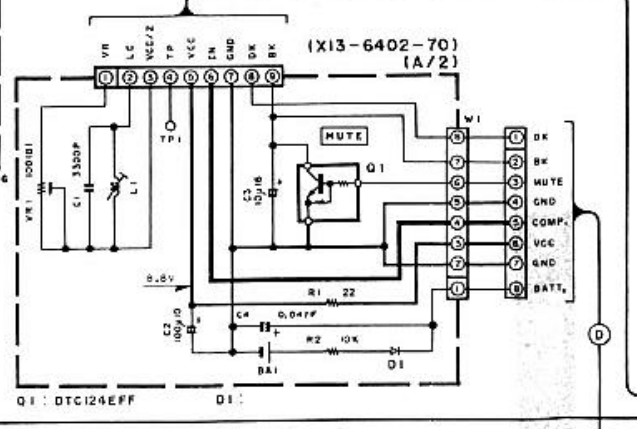


• Les tensions c.c. doivent être mesurées avec un voltmètre à haute impédance. Les valeurs peuvent différer légèrement du fait des variations inhérentes aux appareils et aux instruments de mesure individuels.

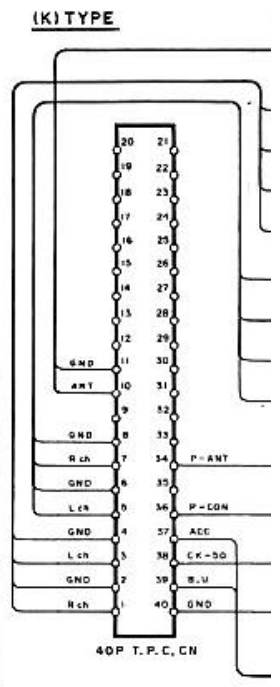
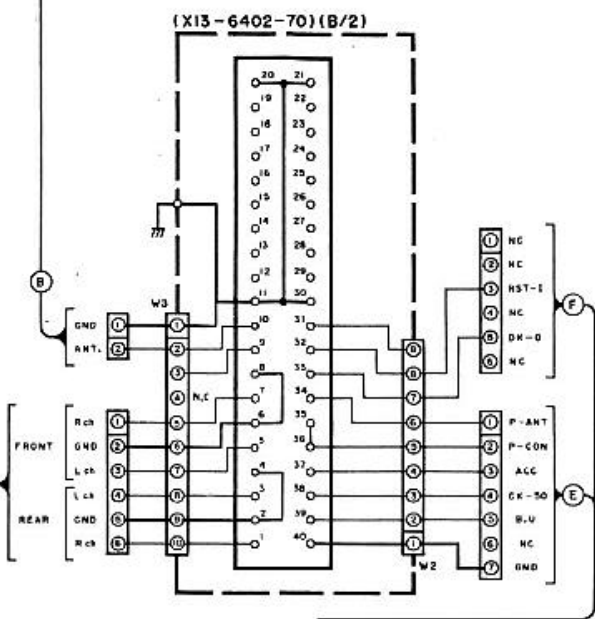
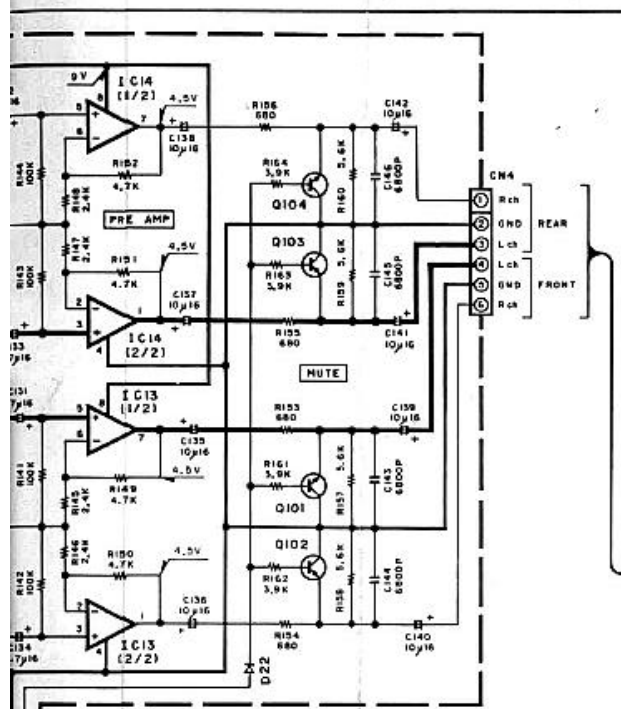
• Die angegebenen Gleichspannungswerte wurden mit einem hochohmigen Voltmeter gemessen. Dabei schwanken die Meßwerte aufgrund von Unterschieden zwischen einzelnen Instrumenten oder Geräten u.U. geringfügig.



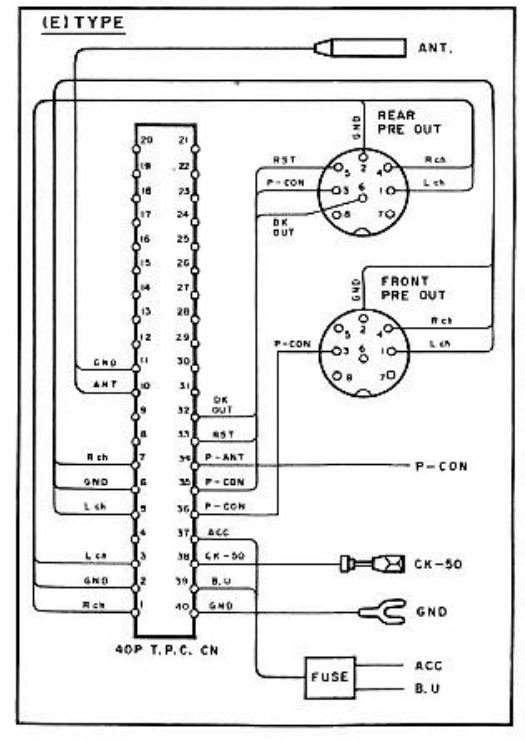
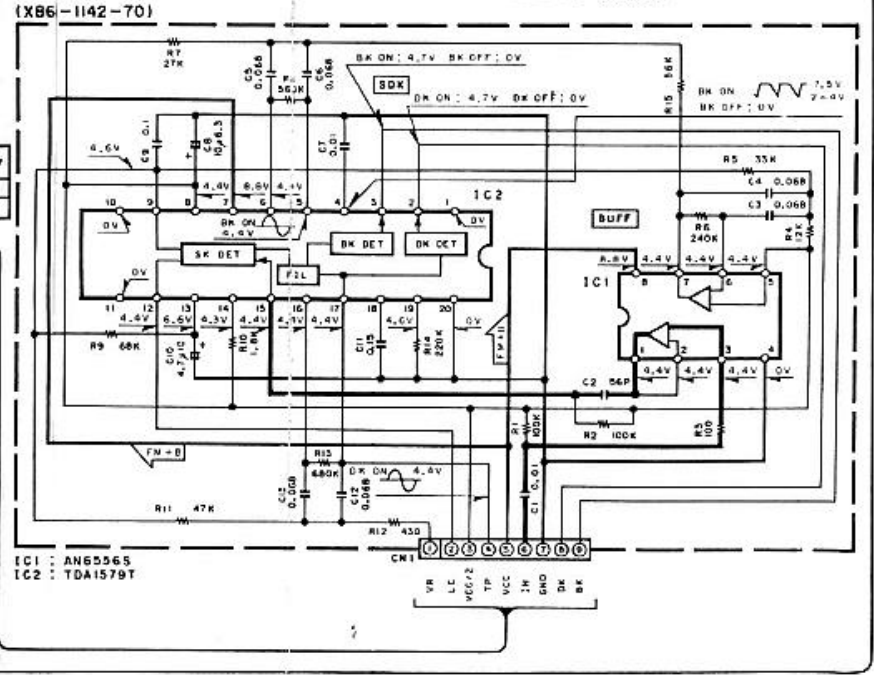
DCST	Ref. No.	R57, 3B, 3R	R224, 225 226, 228	R225 230	C59, 61	C67, 68	D10, 63 64, 60	J5, 6	J6, 7
0 - 11	K	NO	NO	22K	H0	0.015	NO	NO	NO
2 - T1	E	YES	YES	10K	YES	3700P	YES	YES	YES



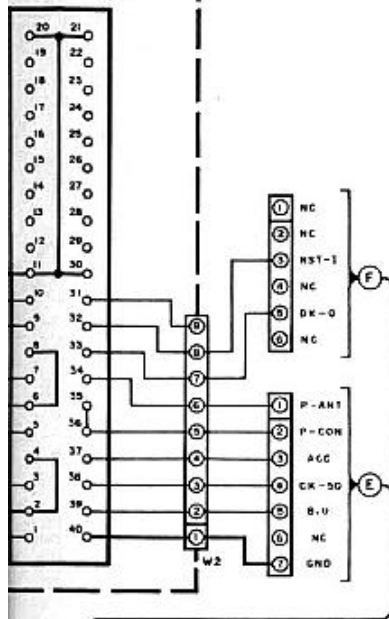
Q1 : DTC124EFF D1 :



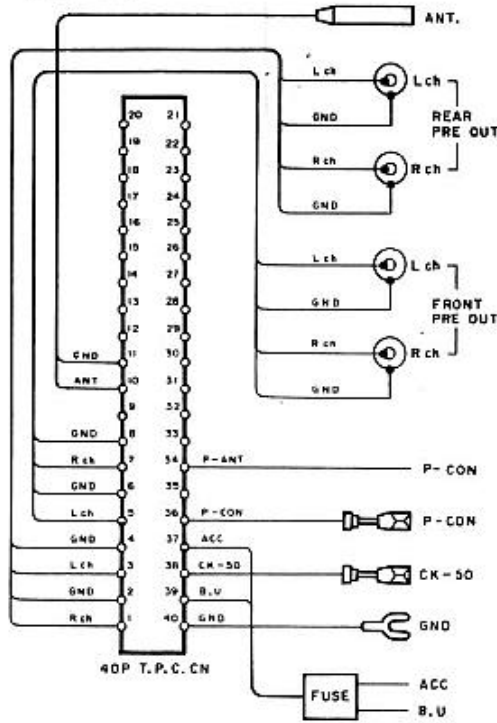
- IC1 : 75116GF-556-3BE y
 - IC2 : LM7001 54x
 - IC3 : TC9188F
 - IC4 : μPC78M05H
 - IC9,10 : M0201FP-71A
 - IC11-15,17 : μPC4570G2
 - D1-7,9,14-18,22,23 : DL51585 or RLS-73
 - DB,10 : RLZJ6,8(B2)
 - D11 : RLZJ11
 - D12,13 : RLZJ5,11(B)
 - D19-21,10: ERA15-01Y1
 - D24 : RLZJ5,6(B)
 - D102 : RLZJ9,11(B2)
- SIGNAL LINE
 — GND LINE
 — +B LINE



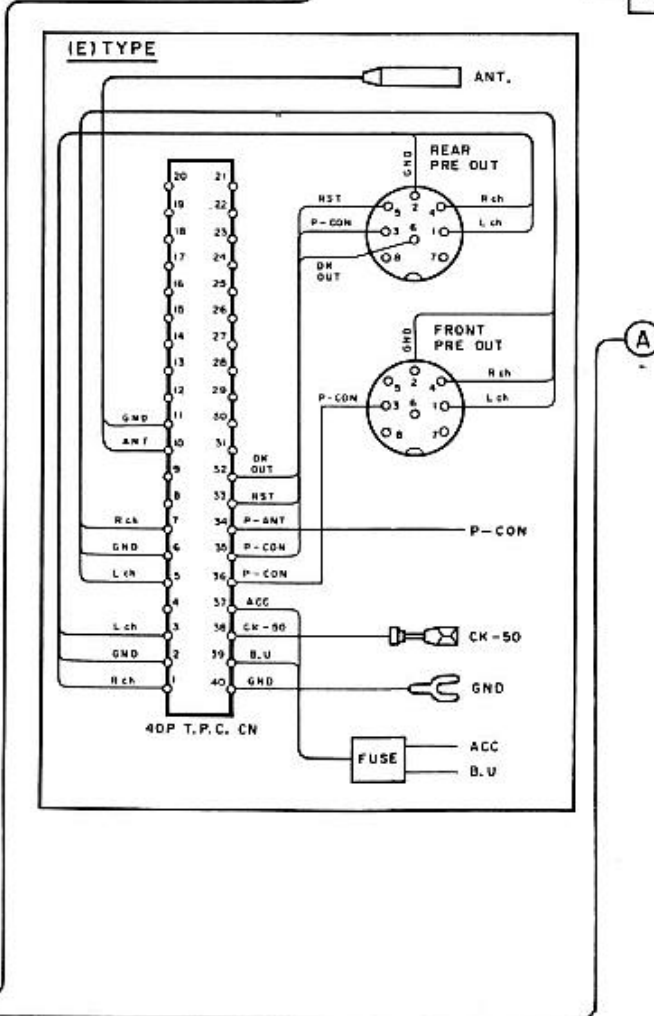
3402-70) (B/2)



(K) TYPE



(E) TYPE



KDC-92R (1/2)

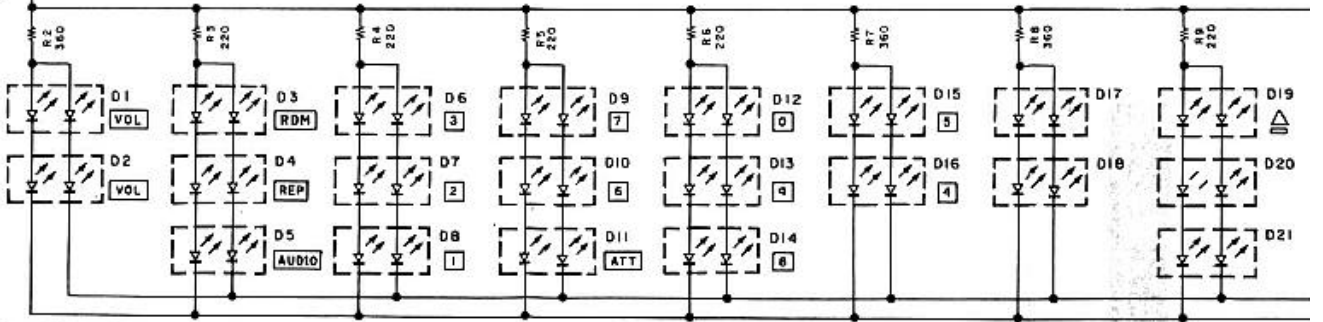
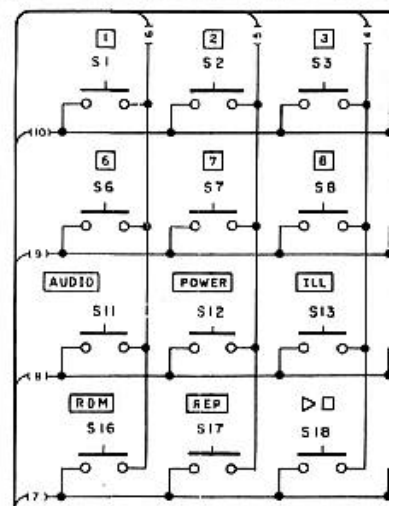
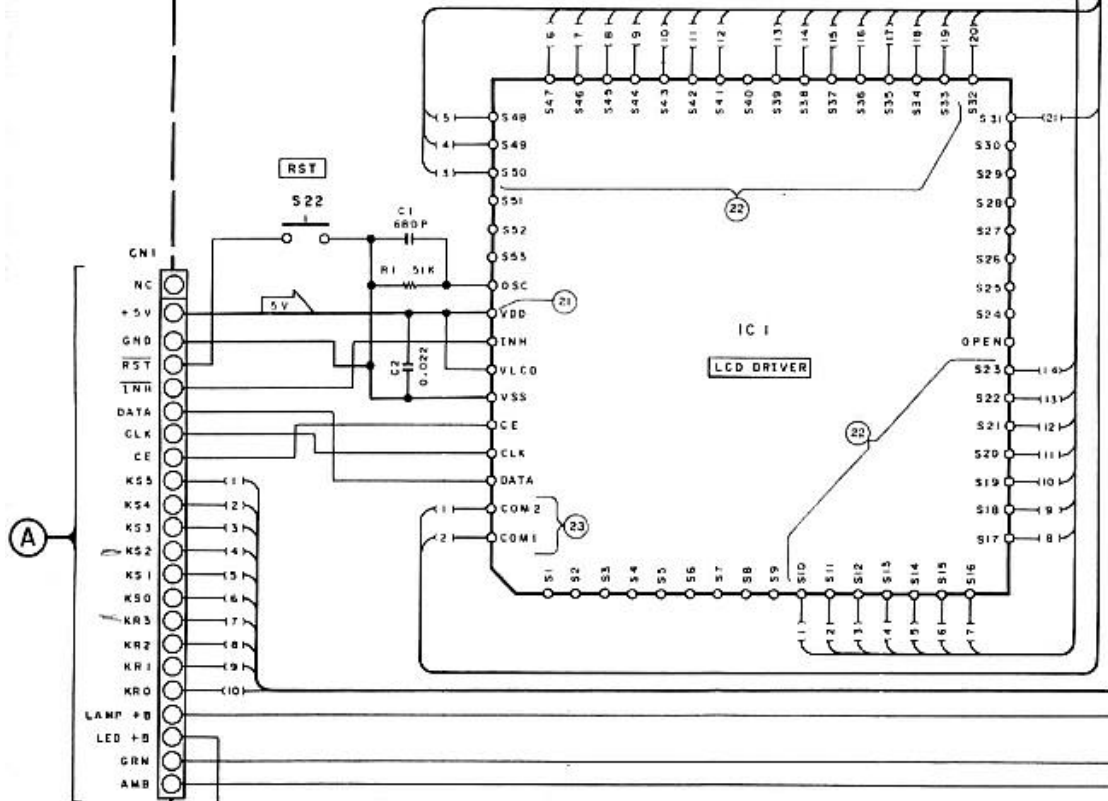
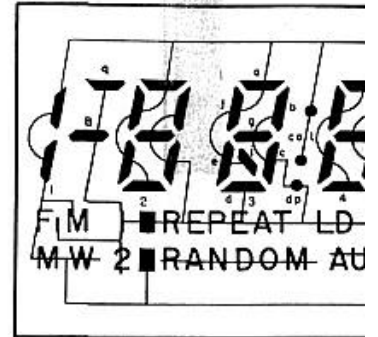
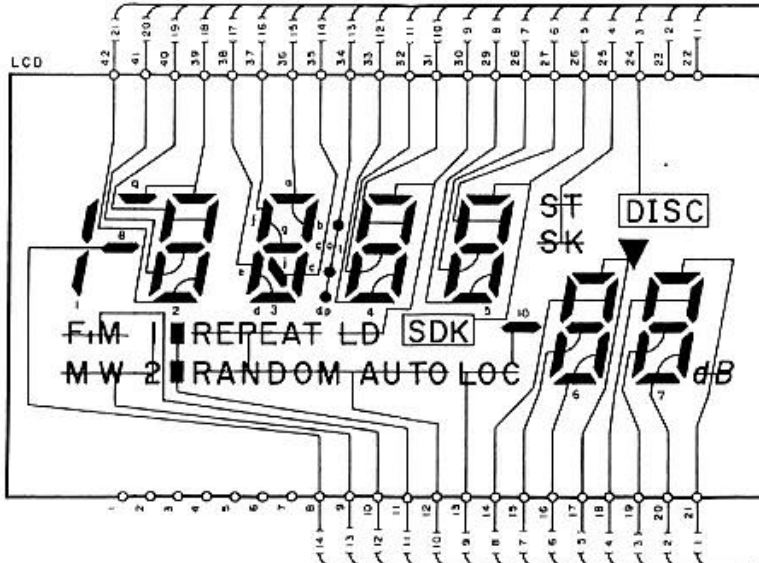
KDC-92R

KENWOOD

Kenwood KDC 92R

Kenwo

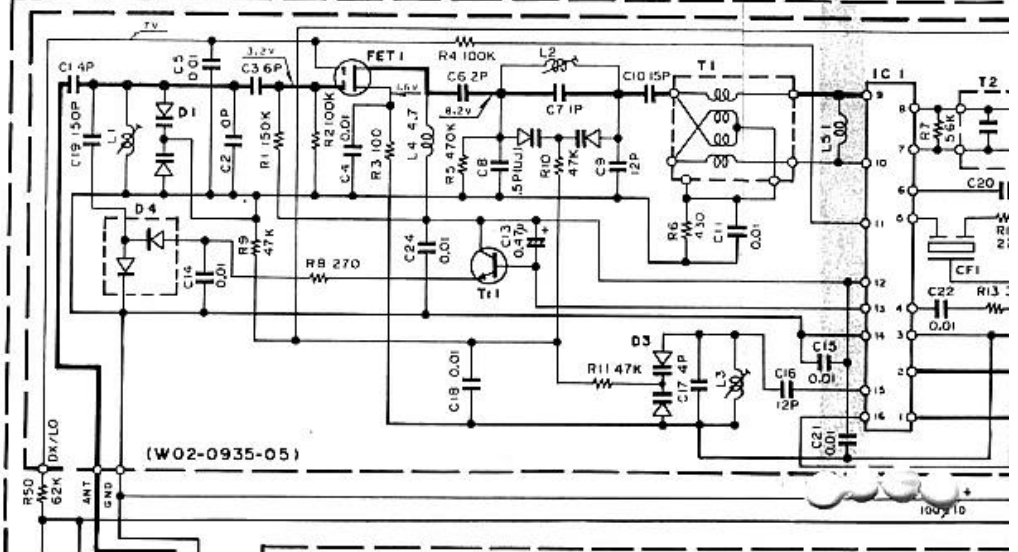
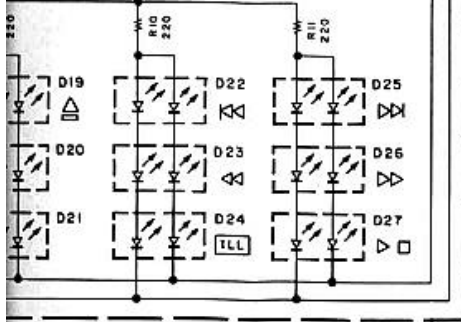
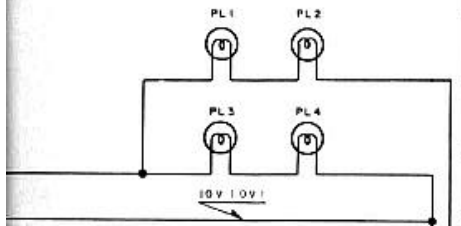
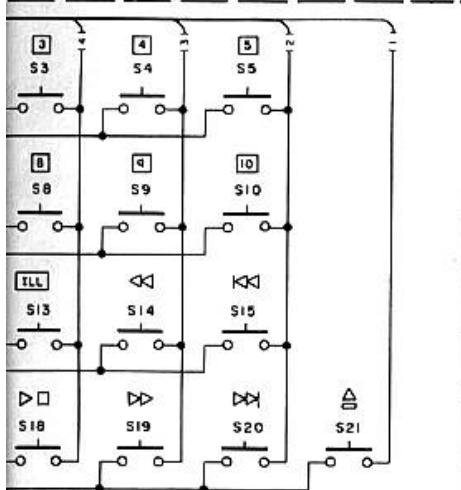
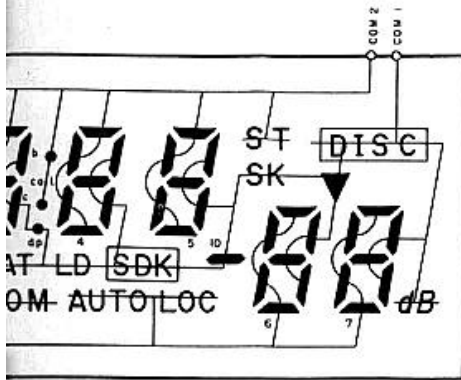
(X25-3740-00)



D1 ~ 27 : 830-120B-05
 LCD : 838-0505-05
 IC1 : LC7582A

Wood Kdc-92-R

(X05-336X-XX)



(W02-0935-05)

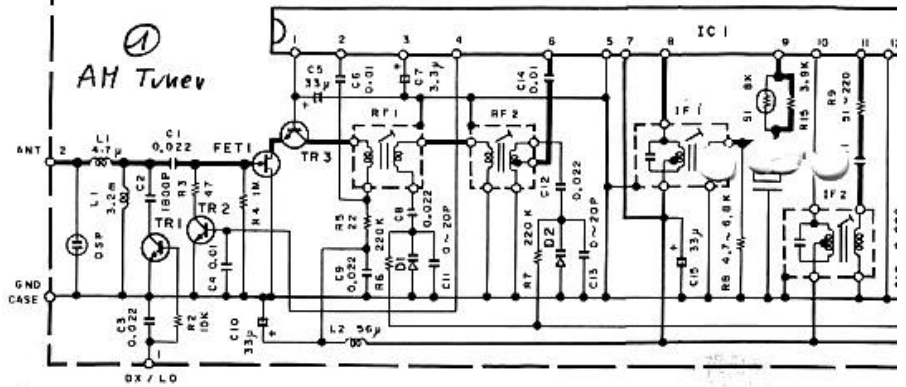
TO X14-272X-XX

(W02-0935-05)

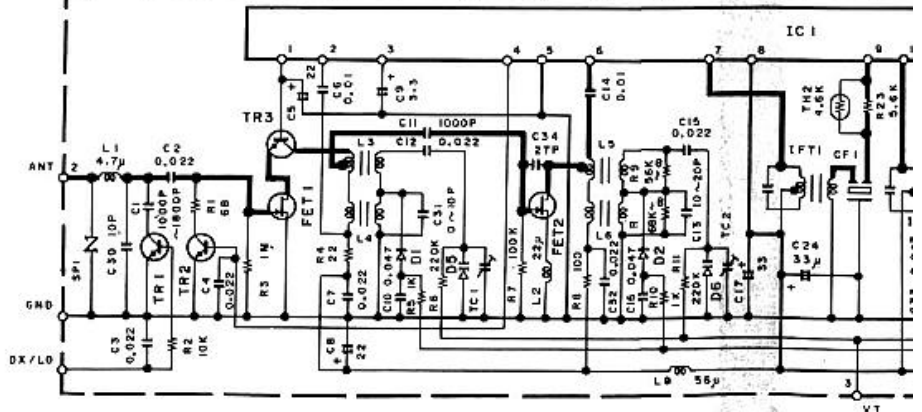
(X05-336X-XX)

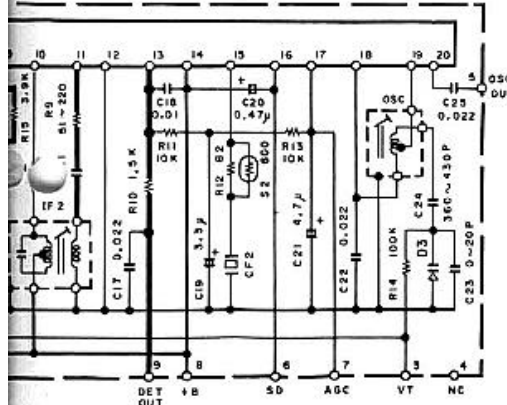
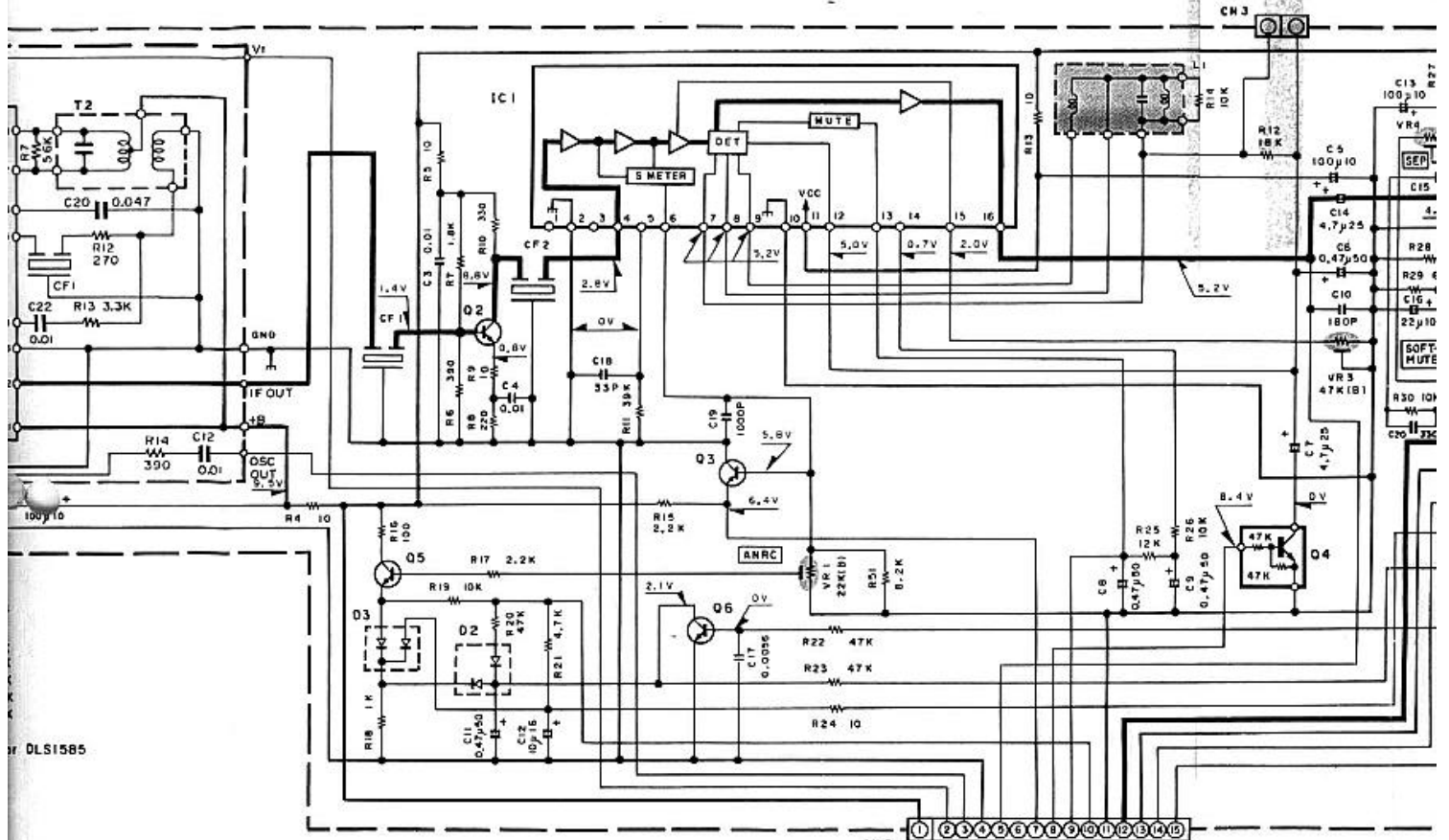
- | | | | |
|-------|-------------|------|---------------------|
| IC 1 | : TA8116F | IC 1 | : TF3S201B |
| FET 1 | : 35K1B1 | IC 2 | : KC-825 |
| D1-D3 | : SVC212 | Q1 | : DTC124EK |
| D4 | : ISV172 | Q2 | : 2SC2413K |
| Tr 1 | : 2SC2712GR | Q3 | : 2SA1037K |
| | | Q4 | : DTC144EK |
| | | Q5,6 | : 2SC2412K |
| | | D1 | : RLS-73 or DLS1585 |
| | | D2 | : 1SS226 |
| | | D3 | : DAN202K |

(W02-1214-05)



(W02-0766-05)

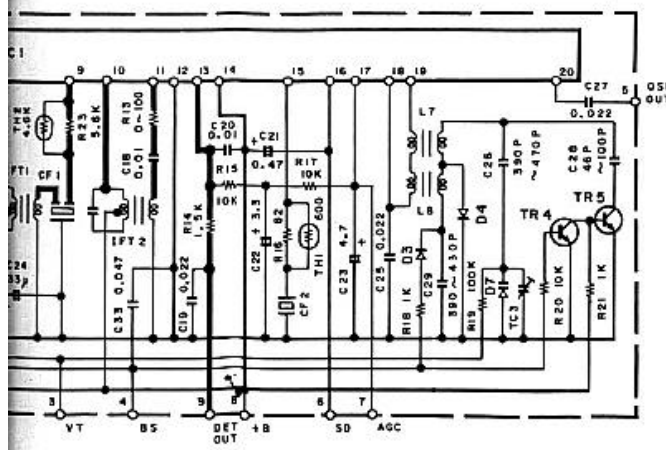




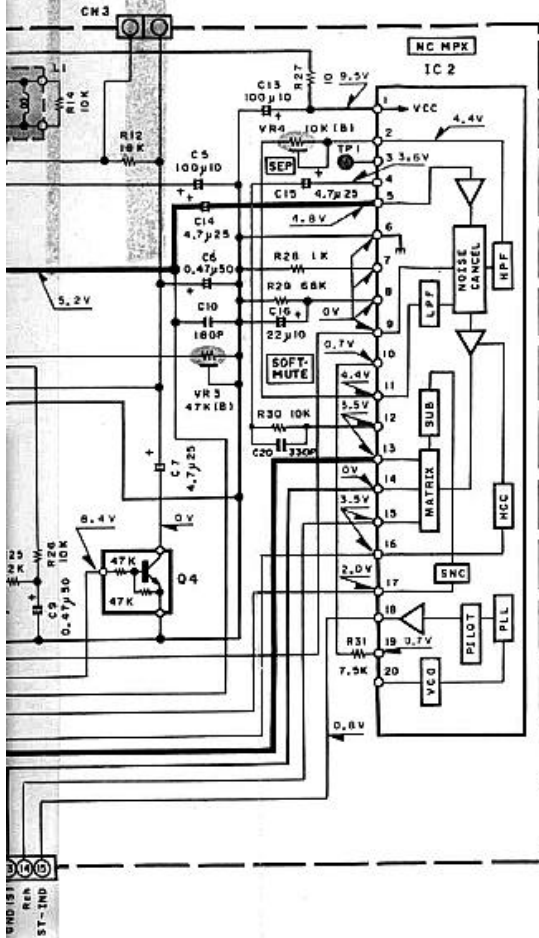
(W02-1214-05)
 IC 1 : LA1135
 FET 1 : 2SK163 or 2SK523
 TRI 3 : 2SC2814, 2SC2716 or 2SC25C2619
 DI 3 : SVC-321 or 15V149

FROM X14-272K-XX

==== SIGNAL LINE
 - - - - GND LINE
 + + + + +B LINE



(W02-0766-05)
 IC 1 : LA1135
 FET 1 : 2SK163
 FET 2 : 2SK184
 TRI 5 : 2SC2814, 2SC2620 or 2SC2714
 TR 6 : 2SC2669
 DI 4 : 1SS110, 1SS53 or 1S1555
 DI 7 : SVC321 or 15V149

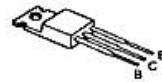


— SIGNAL LINE
 — GND LINE
 — +B LINE

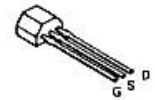
2SB1307M



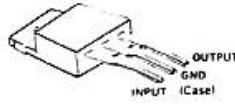
2SB1015



2SK669



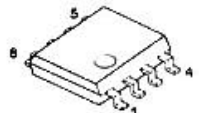
μPC78M0E



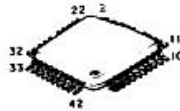
DTC124EFF



AN6556S
 M5201FP-71A
 μPC4570G2

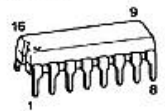


TC9118F

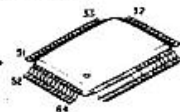


- DTA124EK 2SA1036K
- DTC114EU 2SA1037K
- DTC114YK 2SAB12
- DTC124EK 2SC2412K
- DTC143TU 2SC2413K
- DTC144EK 2SD1757K

LM7001



LC7582A



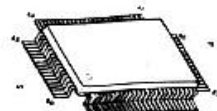
2SB1188



IF3S201B



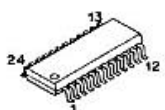
CXD1130Q



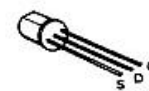
2SD1624



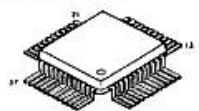
CXK5816M-12L



2SB1050



CXA1082AQ



CAUTION : For continued safety, replace safety critical components only with manufacturer's recommended parts (refer to parts list). Δ Indicates safety critical components. To reduce the risk of electric shock, leakage-current or resistance measurements shall be carried out (exposed parts are acceptably insulated from the supply circuit) before the appliance is returned to the customer.

- DC voltages are as measured with a voltmeter. Values may vary slightly between individual instruments
- Les tensions c.c. doivent être mesurées avec un voltmètre à haute impédance. Elles peuvent légèrement varier d'un appareil à l'autre et d'un instrument de mesure à l'autre.
- Die angegebenen Gleichspannungen sind mit einem hochohmigen Voltmeter gemessen worden. Die Meßwerte können zwischen einzelnen Instrumenten geringfügig abweichen.

